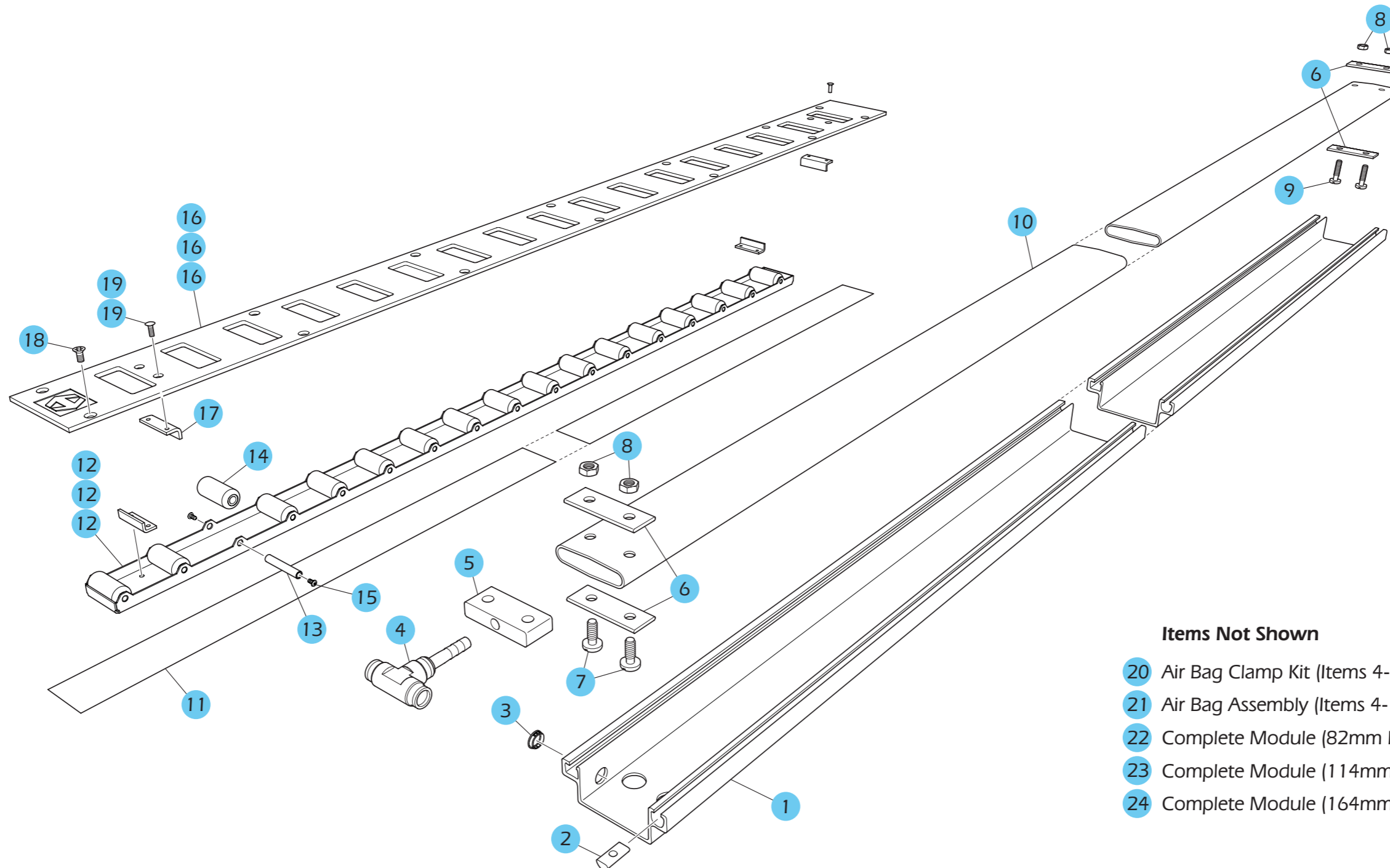




MK10.5.4 Flat Top Plate 5mm: Diagram and Parts List

ITEM	PART NO.	DESCRIPTION	QTY
1	PR10-A01-0-1500	Main Channel, Extrusion 1.5m	1
2	CNB001	Nut Bar	14
3	042090169907	Skiffy Bushing	2
4	2BH001	Air Bag Tee	1
5	0420901699007	Rubber Insert Plug	2
6	Available in Kit Only	Clamp Plate	4
7	Available in Kit Only	M8 x 30mm Pan Hd Screw	2
8	Available in Kit Only	M8 Nyloc Nut	4
9	Available in Kit Only	M8 x 20mm Pan Hd Screw	2
10	ZAC001	Air Bag 3.2m Long	1
11	1EE001	Acetal Strip	1
12	PR10-A03-082	82mm Pitch	1
	PR10-A03-114	114mm Pitch	1
	PR10-A03-164	164mm Pitch	1
13	HY10003404	MK10 Roller Pin	-

ITEM	PART NO.	DESCRIPTION	QTY
14	HY11004001	MK10 Roller	-
15	4PD009	M6 x 10mm Flanged HD Screw	-
16	PR10-A05-082-4	82mm Pitch	1
	PR10-A05-114-4	114mm Pitch	1
	PR10-A05-164-4	164mm Pitch	1
17	HY11003402	MK10 Guide Leg	4
18	4FB004	M5 x 12mm Taptite Screw	8
19	4AD027	Top Plate Screw, M6 x 15mm (US only)	14
	4AD029	Top Plate Screw, M6 x 15mm (ROW)	14
20	PR-ABCKIT1.5	Air Bag Clamp Kit	1
21	PR04-A02-1500	Air Bag Assembly	1
22	PR10.5.4-082-1500	Complete Module 82mm Pitch	1
23	PR10.5.4-114-1500	Complete Module 114mm Pitch	1
24	PR10.5.4-164-1500	Complete Module 164mm Pitch	1



Items Not Shown

- 20 Air Bag Clamp Kit (Items 4-10)
- 21 Air Bag Assembly (Items 4-11)
- 22 Complete Module (82mm Pitch)
- 23 Complete Module (114mm Pitch)
- 24 Complete Module (164mm Pitch)

