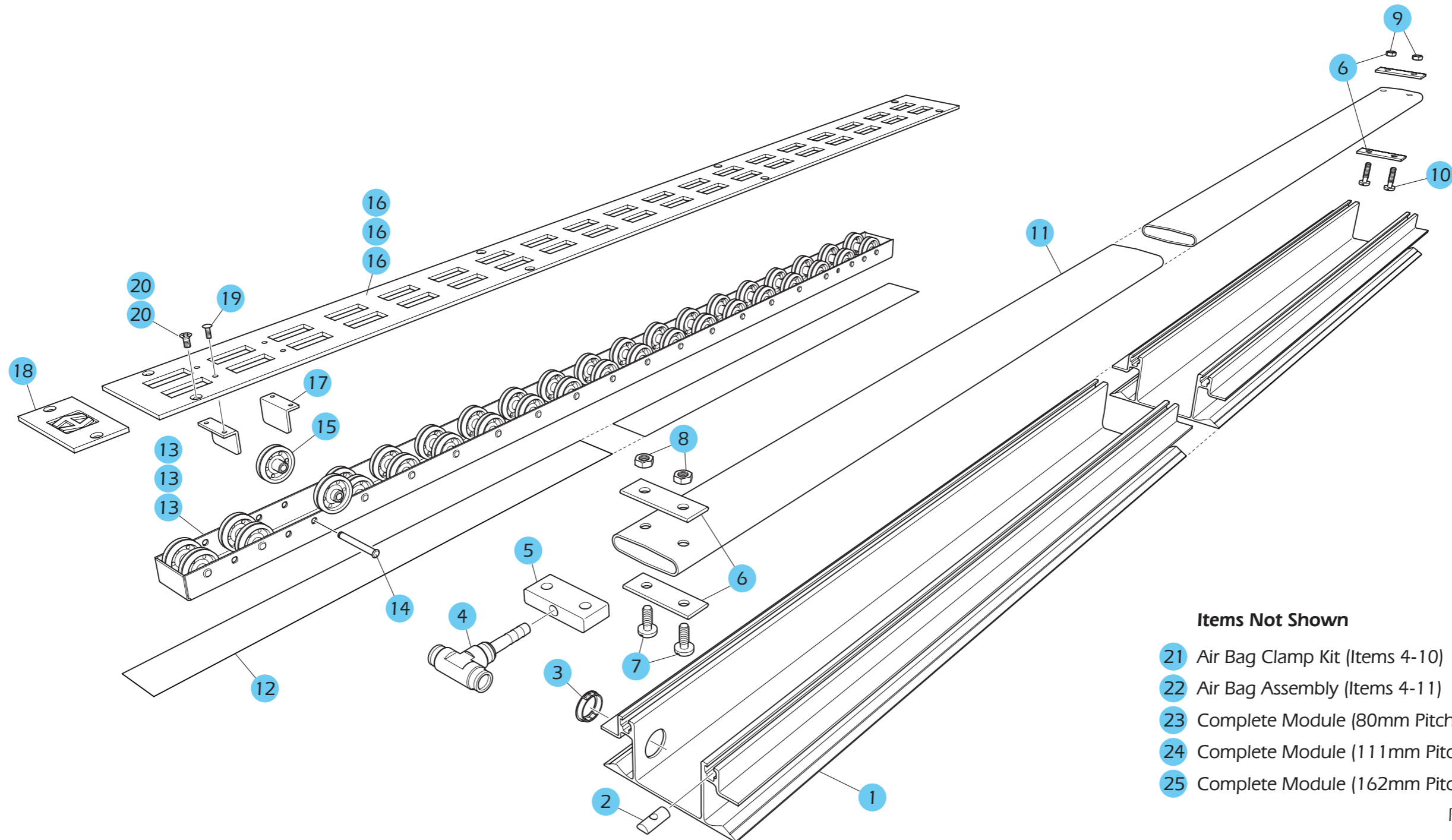




## MK21.T.4 Floor Support 5mm: Diagram and Parts List

ITEM	PART NO.	DESCRIPTION	QTY
1	PR04-A01-T-3200	Main Channel, Wing Extrusion 3.2m	1
2	CNB001	Nut Bar	18
3	1EF001	Main Channel Snap Bushing	2
4	2BH001	Air Bag Tee	1
5	2CE001	Rubber Insert Plug	1
6	Available in Kit Only	Clamp Plate	4
7	Available in Kit Only	M8 x 30mm Pan Hd Screw	2
8	Available in Kit Only	M8 Nyloc Nut	2
9	Available in Kit Only	M8 Nyloc Nut	2
10	Available in Kit Only	M8 x 20mm Pan Hd Screw	2
11	2AC001	Air Bag 3.2m Long	1
12	1EE001	Acetal Strip	1
13	PR21-A03-080	80mm Pitch	2
	PR21-A03-111	111mm Pitch	2
	PR21-A03-162	162mm Pitch	2

ITEM	PART NO.	DESCRIPTION	QTY
14	CRP001	MK4 Roller Pin	-
15	3AJ008	Heavy Duty Skate Wheel	-
16	PR21-A03-080-4	80mm Pitch	2
	PR21-A03-111-4	111mm Pitch	2
	PR21-A03-162-4	162mm Pitch	2
17	CGL001	MK4 Guide Angle	2
18	CLG005	MK4 5mm Logo Plate	1
19	4FB004	M5 x 12mm Taptite Screw	4
20	4AD027	Top Plate Screw, M6 x 15mm (US only)	18
	4AD029	Top Plate Screw, M6 x 15mm (ROW)	18
21	PR-ABCKIT1.5	Air Bag Clamp Kit	1
22	PR04-A02-3200	Air Bag Assembly	1
23	PR21.T.4-080-3200	Complete Module 80mm Pitch	1
24	PR21.T.4-111-3200	Complete Module 111mm Pitch	1
25	PR21.T.4-162-3200	Complete Module 162mm Pitch	1



### Items Not Shown

- 21 Air Bag Clamp Kit (Items 4-10)
- 22 Air Bag Assembly (Items 4-11)
- 23 Complete Module (80mm Pitch)
- 24 Complete Module (111mm Pitch)
- 25 Complete Module (162mm Pitch)

