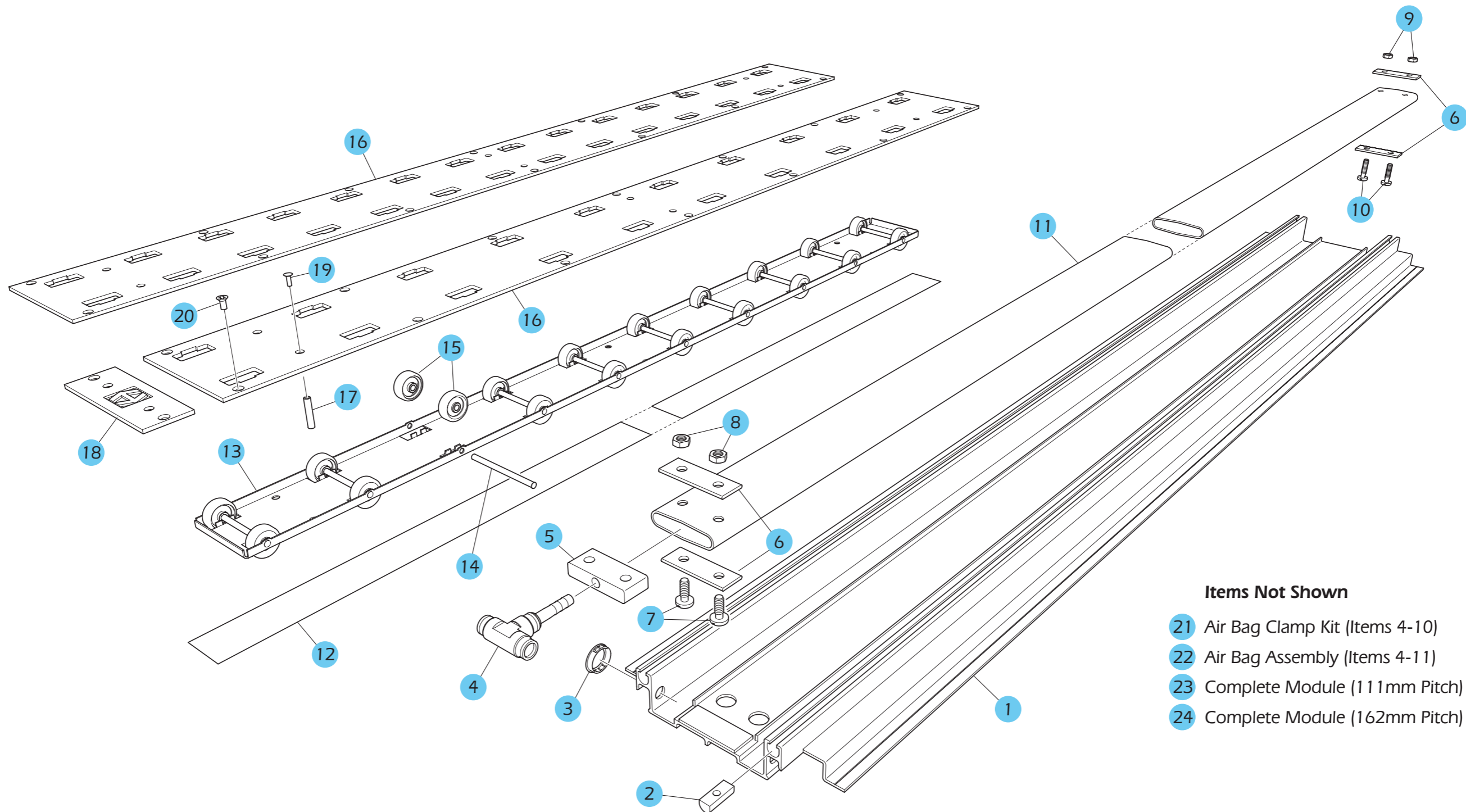




## MK24 Series 6 Std Roller Channel: Diagram and Parts List

ITEM	PART NO.	DESCRIPTION	QTY
1	PR24-A01-T-3200	Main Channel, Extrusion 3.2m	1
2	CNB001	Nut Bar	16
3	04090169907	Main Channel Snap Bushing	2
4	2BH001	Air Bag Tee	1
5	2CE001	Rubber Insert Plug	1
6	Available in Kit Only	Clamp Plate	4
7	Available in Kit Only	M8 x 30mm Pan Hd Screw	2
8	Available in Kit Only	M8 Nyloc Nut	2
9	Available in Kit Only	M8 Nyloc Nut	2
10	Available in Kit Only	M8 x 20mm Pan Hd Screw	2
11	2AC001	Air Bag 3.2m Long	1
12	1EE001	Acetal Strip	1
13	PR24-A03-111	111mm Pitch	2
	PR24-A03-162	162mm Pitch	2

ITEM	PART NO.	DESCRIPTION	QTY
14	CRP024	MK24 Roller Pin	-
15	3AJ011	MK24 Skate Wheel	-
16	PR24-A05-111-4	111mm Pitch	2
	PR24-A05-162-4	162mm Pitch	2
17	HY12404509	MK24 Support Pillar	8
18	CLG024	MK24 5mm Logo Plate	1
19	4FB006	M5 x 10mm Taptite Screw	8
20	4AD027	Top Plate Screw, M6 x 15mm (US only)	16
21	PR-ABCKIT-1.5IN	Air Bag Clamp Kit (Items 4-10)	1
22	PR04-A02-3200	Air Bag Assembly (Items 4-11)	1
23	PR24.T.4.111-3200	Complete Module 111mm Pitch	1
24	PR24.T.4.162-3200	Complete Module 162mm Pitch	1



### Items Not Shown

- 21 Air Bag Clamp Kit (Items 4-10)
- 22 Air Bag Assembly (Items 4-11)
- 23 Complete Module (111mm Pitch)
- 24 Complete Module (162mm Pitch)