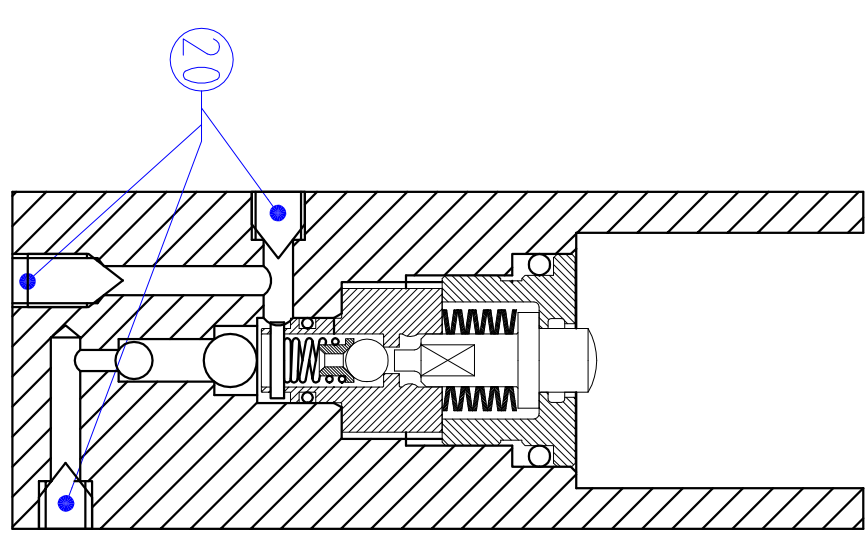
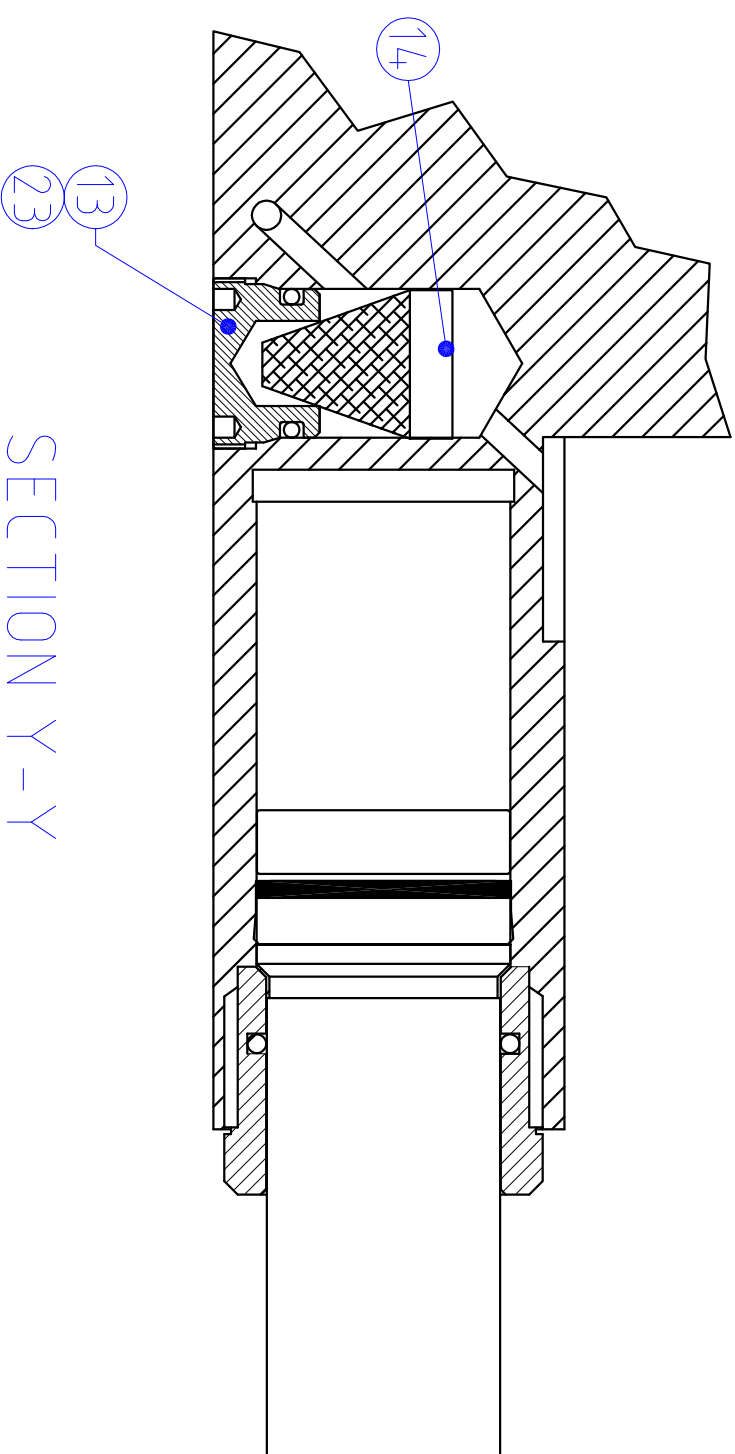


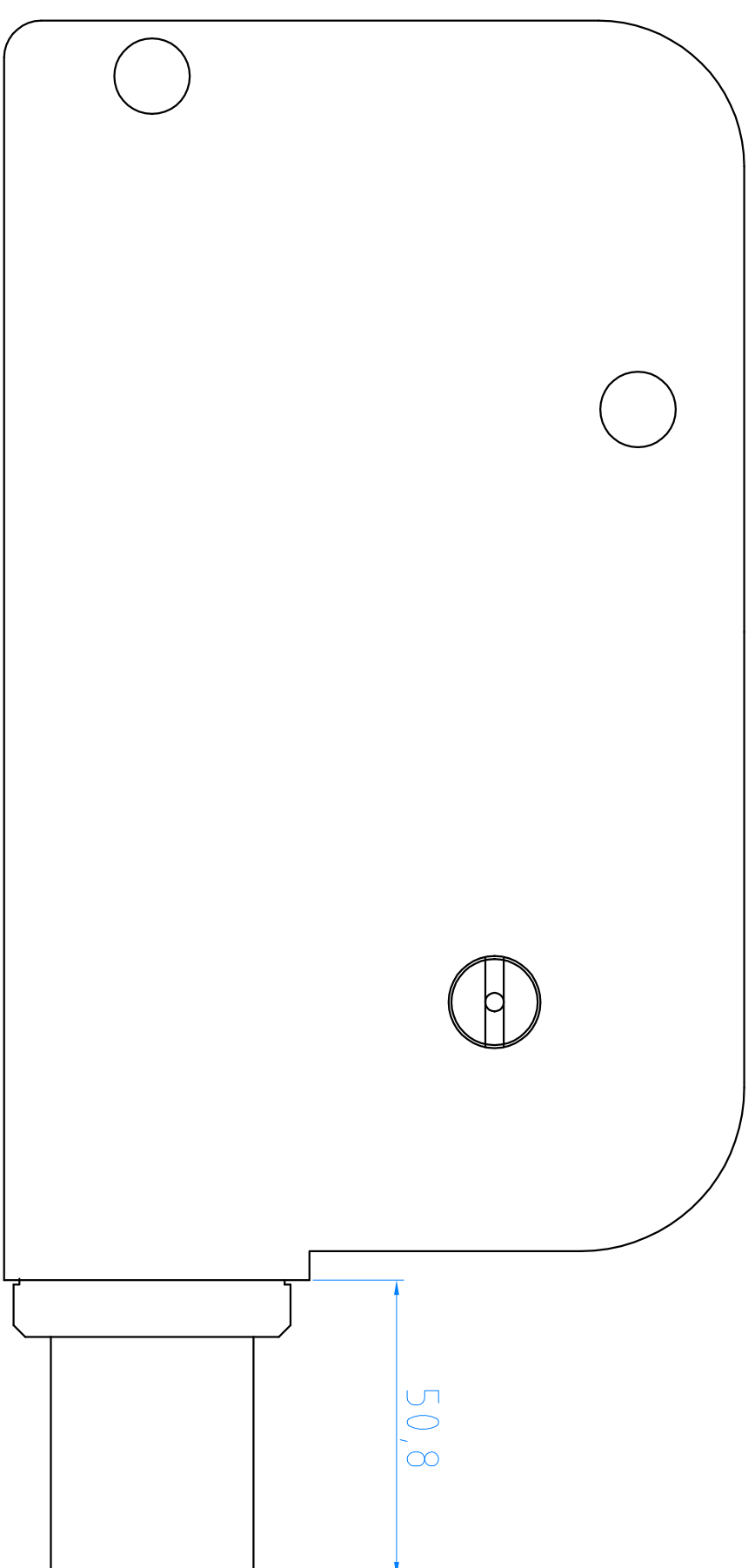
SECTION X-X



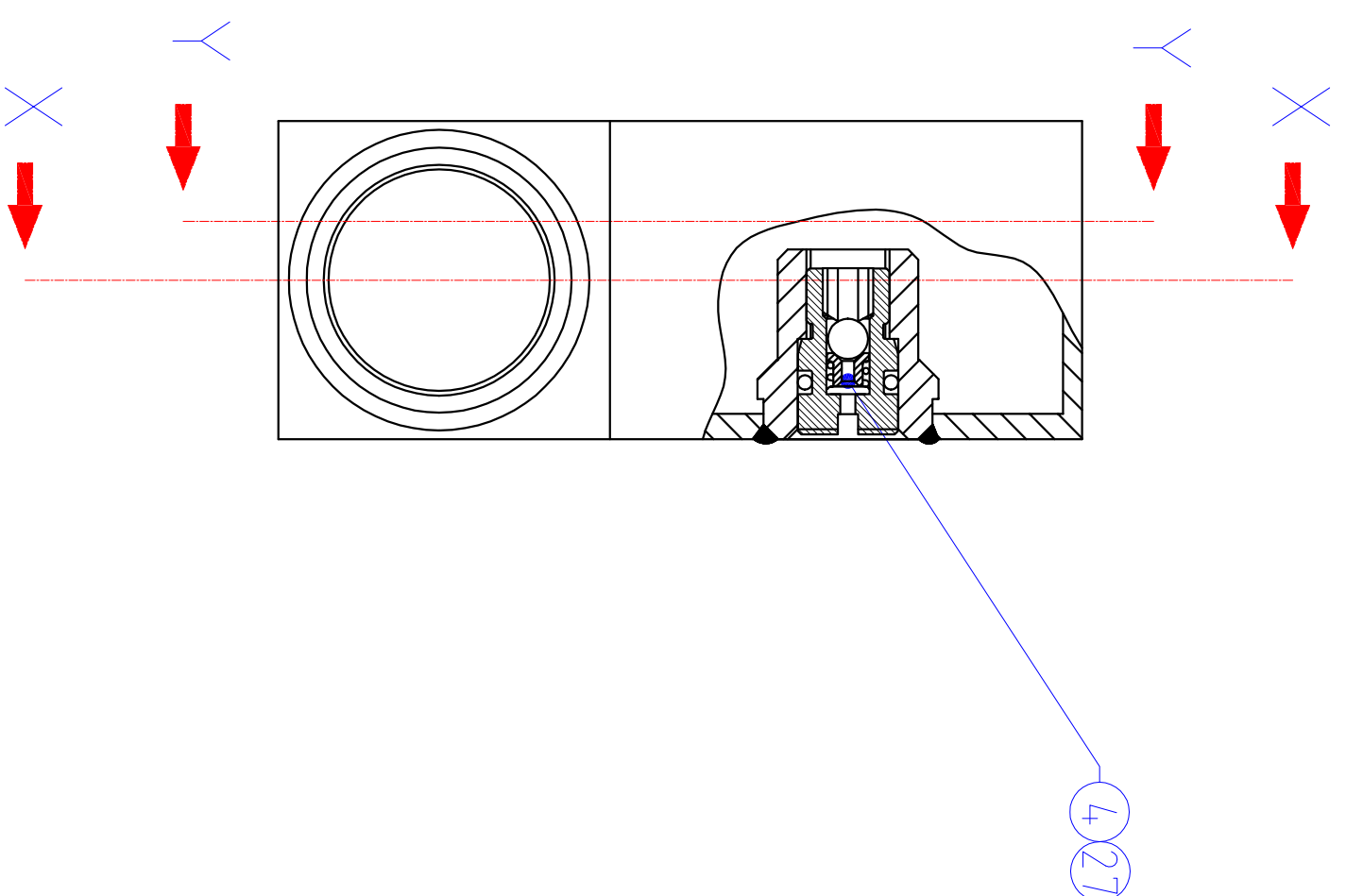
SECTION Z-Z



SECTION Y-Y



RAM DISPLACEMENT OF 50.8MM
 ACHIEVED WITH 24 HANDLE STROKES
 MAX HYDRAULIC SYSTEM PREASURE
 AT 20 000 KG'S : 30 919 PSI
 TO BE USED WITH SHELL TELLUS 37
 APPROX 0.1 LITERS
 PUMP TO BE OPERATED WITH
 OPERATION HANDLE SK-OP916



BILL OF MATERIAL		BILL OF MATERIAL			
ITEM	QTY	DESCRIPTION	ITEM	QTY	DESCRIPTION

1	1	SK-HD-11	HYDRAULIC PLUNGER	17	1	SK-HD-126	BLOW OFF PIN
2	1	SK-HD-12	HYDRAULIC PLUNGER PIN	18	1	SK-HD-127	BLOW OFF SPRING
3	1	SK-HD-13	HANDLE BASE BLOCK	19	1	SK-HD-128	BLOW OFF ADJUSTING COLLAR
4	1	SK-HD-14	RELEASE VALVE	20	4	SK-HD-129	5/16" SPT. SCREW (GROUND POINT)
5	1	SK-HD-16	HANDLE BASE PIN	21	1	SK-HD-132	PLUNGER GLAND
6	1	SK-HD-17	RELEASE HOUSING	22	1	SK-HD-133	OS13 OIL SEAL
7	2	SK-HD-18	OS19 OIL SEAL	23	1	SK-HD-134	OS13 OIL SEAL
8	1	SK-HD-19	RELEASE VALVE	24	1	SK-HD-135	FILTER FLG
9	1	SK-HD-110	9/16 O/D X 88.2 L/D X 0.9 DIA. SPRING	25	1	SK-HD-131	DIAPHR. SEAL
10	1	SK-HD-111	057 OIL SEAL	26	1	SK-HD-133	RELEASE VALVE
11	1	SK-HD-113	LOADING RING	27	2	SK-HD-135	OS 9 OIL SEAL
12	1	SK-HD-114	HYDRAULIC RAM				
13	1	SK-HD-118	FILTER FLG				
14	1	SK-HD-119	STEEL BALL 3/6316				
15	1	SK-HD-120	9/16" STEEL BALL 3/6316				
16	1	SK-HD-142	Ø 7/32" STEEL BALL 3/6316				

THIRD ANGLE PROJECTION	
DRAWING IN ACCORDANCE WITH BS: 308	
ALL ALTERATIONS TO DRAWING TO BE DONE ON COMPUTER	
REMOVE ALL BURRS AND SHARP EDGES	
UNLESS STATED OTHERWISE	
FABRICATED PARTS	MACHINED PARTS
1000 AND ABOVE: +3mm	0.0 - +0.5mm
250 TO 999: +1.5mm	0.00 - +0.1mm
0 TO 249: -1mm	ANGULAR - +0.5°
ALL UNPROTECTED SURFACES TO BE COATED WITH STEEL GUARD (VAAPOR-TEC)	

CUSTOMER:	JOLODA
TITLE:	HYDRAULIC PUMP
PART No:	SK-HYD-HP
SHEET	1 OF 1
REV	1

DATE	10/01/06	CHECKED
DESCRIPTION	DRAWING CREATION	DATE
BY	K.S. 1	

Joloda
 JOLODA INTERNATIONAL LTD
 8 SPEKE ROAD, GASTON, LIVERPOOL,
 L19 2NY, ENGLAND
 TEL: +44(0) 151 427 3954, FAX: +44(0) 151 427 1393

THIS DRAWING AND DESIGN IS THE PROPERTY AND COPYRIGHT OF JOLODA INTERNATIONAL LTD. AND MUST NOT BE REPRODUCED, COPIED, REPRODUCED OR DISCLOSED TO A THIRD PARTY WITHOUT THE WRITTEN CONSENT OF JOLODA INTERNATIONAL LTD.

W/A	W/A	W/A	W/A
W/A	W/A	W/A	W/A
W/A	W/A	W/A	W/A
W/A	W/A	W/A	W/A