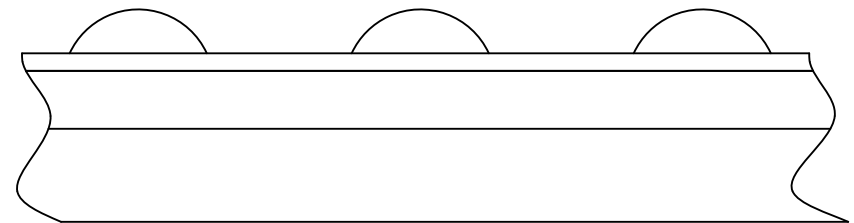
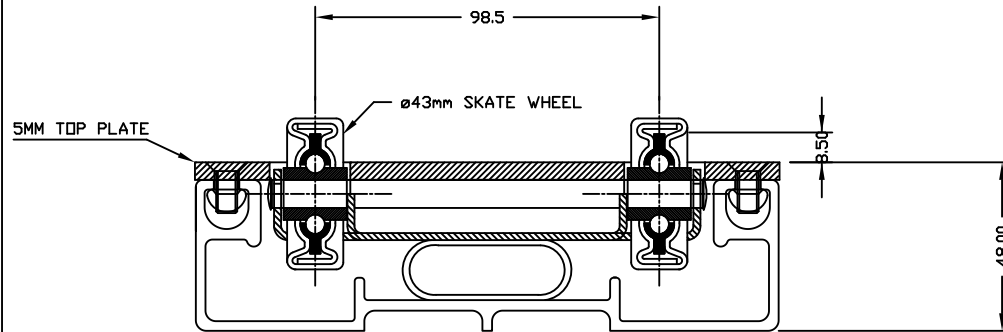
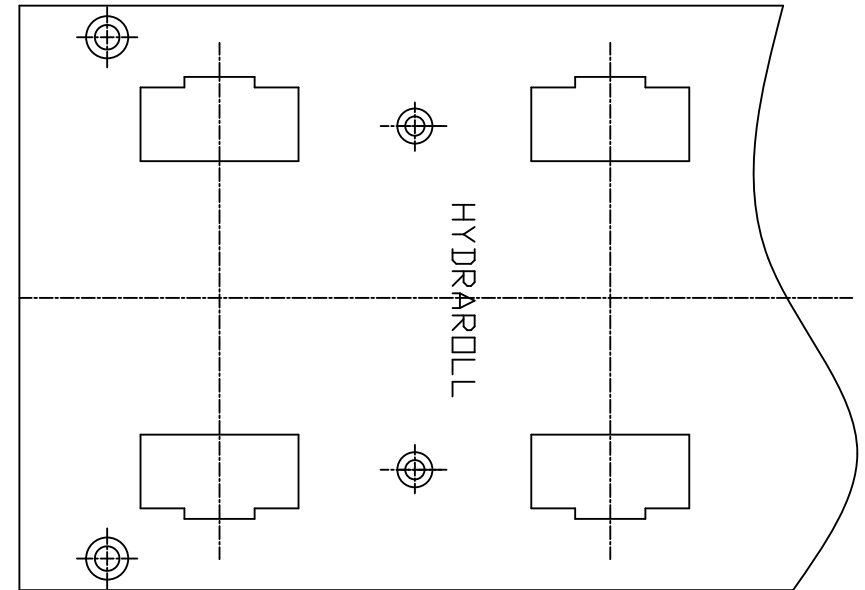


ROLLERS SHOWN IN
'DOWN' POSITION



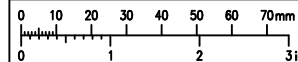
STD LENGTH 3.2m [10 FT 6"]
 STD PITCHES: 80mm, 111mm, 162mm
 EST. WEIGHTS: [3.2m MODULES]
 80mm PITCH = 51.05Kg
 111mm PITCH = 48.42Kg
 162mm PITCH = 46.33Kg

© JOLODA INTERNATIONAL LTD.
 ALL RIGHTS RESERVED

THIS DOCUMENT IS THE PROPERTY OF
 JOLODA INTERNATIONAL LTD. AND MAY
 NOT BE REPRODUCED IN WHOLE OR IN
 PART NOR THE CONTENTS DIVULGED TO
 A THIRD PARTY WITHOUT THE WRITTEN
 CONSENT OF THE COMPANY

TOLERANCES _____

MATERIAL _____



SCALE AT A2 PLOT
 1 : 1



PROJECTION

USED ON

MK24 SERIES 6 5mm TOP PLATE
 (SPECIAL 52MM HI)

ISS	REVISION	DRN	DATE	APP	DATE
A	ORIGINAL	NJ	06/02/13		

JOLODA INTERNATIONAL® LTD, ANGLESEY, GT.BRITAIN,
 LL60 6BH.

DRG. DATA SHT 24.6.4
 No.