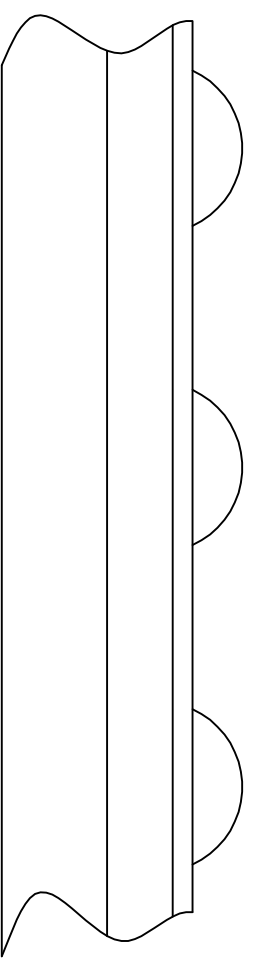
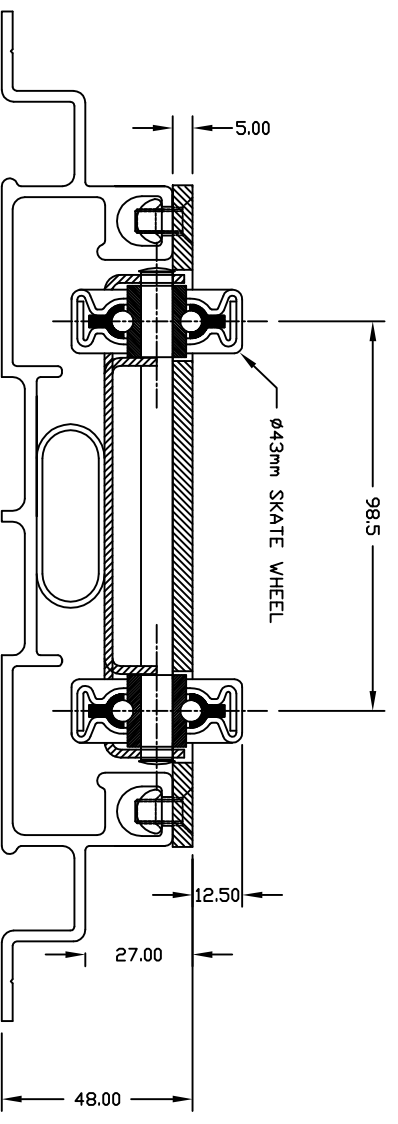
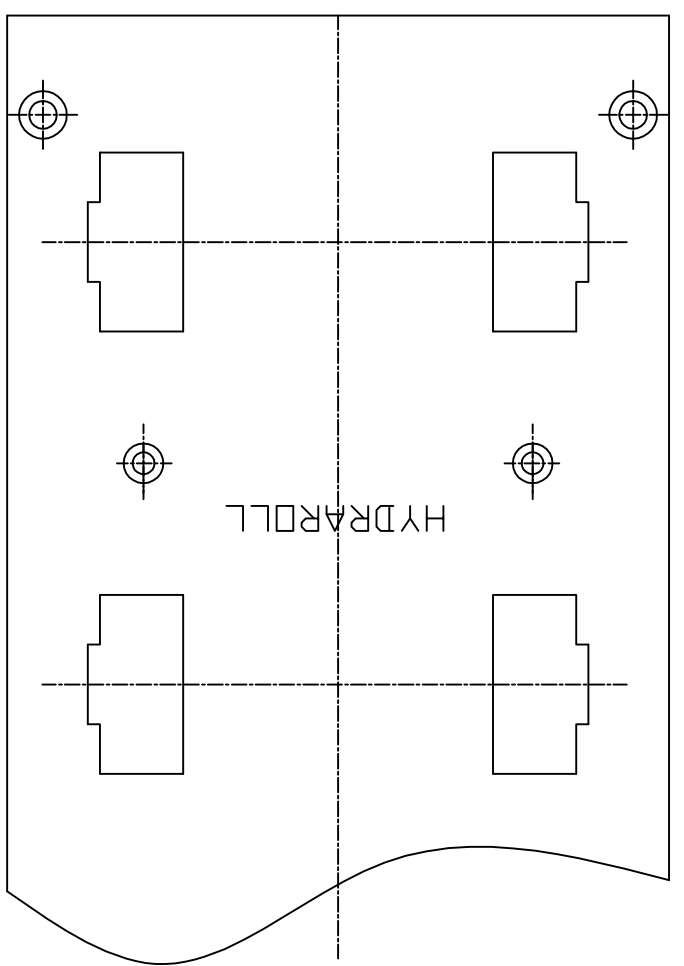


ROLLERS SHOWN IN
'DOWN' POSITION



STD LENGTH 3.2m [10 FT 6"]
 STD PITCHES: 80mm, 111mm, 162mm
 EST. WEIGHTS: [3.2m MODULES]
 80mm PITCH = 51.05kg
 111mm PITCH = 48.42kg
 162mm PITCH = 46.33kg

© JOLODA INTERNATIONAL LTD.
 ALL RIGHTS RESERVED
 THIS DOCUMENT IS THE PROPERTY OF JOLODA INTERNATIONAL LTD. AND MAY NOT BE REPRODUCED IN WHOLE OR IN PART NOR THE CONTENTS DIVULGED TO A THIRD PARTY WITHOUT THE WRITTEN CONSENT OF THE COMPANY

TOLERANCES

MATERIAL

SCALE AT A2 PLOT	PROJECTION	USED ON	G	EXTRUSION
1 : 1			F	PROFILE CHANGED
			E	PART NO CHANGED
			D	ESTIMATED WEIGHT ADDED
			A	ORIGINAL
			ISS	REVISION
			DRN	DATE
			APP	DATE

MK24 SERIES 6 5mm TOP PLATE
 (ALSO KNOWN AS HI-LD 48)

JOLODA INTERNATIONAL LTD. ANGLESEY, GIBRALTAR, DRG. DATA SHT 24.1.4
 LL60 6BH.